

Fostex®

FW-series Hyperbolic Paraboloid Woofer

FW168HP-X

Features

- 160mm (6in) cone type woofer
- Hyperbolic Paraboloid (HP) diaphragm
- UDR (updown roll) tangential surround & spider
- Well-tuned Qts value for richer low frequency

Specifications

&

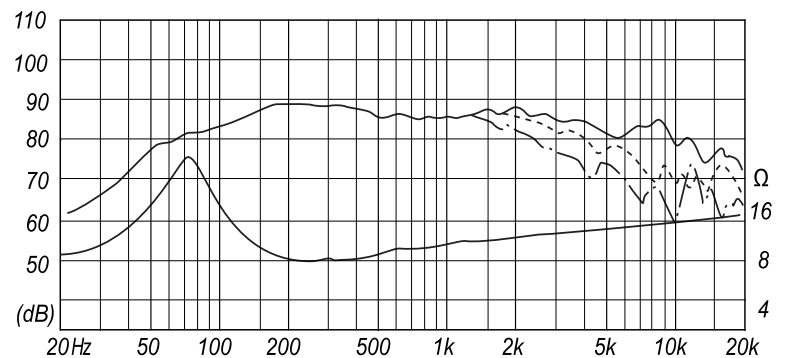
Thiele/Small Parameters

Size	:	160 mm / 6 in
Voice Coil Diameter	:	35 mm / 1.4 in
Cast / Stamped	:	Stamped
Impedance	:	8 Ω
Reproduction Frequency Response	:	fs - 10 kHz
Sound Pressure Level	:	88 dB/W(m)
Rated Input	:	34 W
Music Power	:	100W
Magnet Material	:	Ferrite
Magnet Weight	:	
(main)	:	1,090 g / 2.403 lb
(cancel)	:	n/a g / n/a lb
Net Weight	:	3,550 g / 7.826 lb

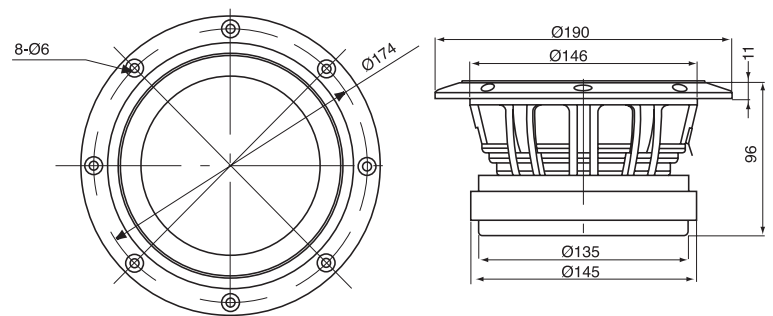
a	:	61 mm
Sd	:	0.011 m ²
Zn	:	8 Ω
Fs	:	70 Hz
Re	:	7.1 Ω
Le	:	0.05 mH
Qms	:	3.085
Qes	:	0.65
Qts	:	0.53
Mms	:	15.2 g
BL	:	8.54 Telsa/m
Vas	:	5.843 L
Xmax	:	2.7 mm
Eff/η0	:	0.3 %
Cms	:	0.000344 mm/N
EBP	:	107



Frequency Response / Impedance



Dimensions & Mounting Information



Overall Diameter	:	190 mm / 7 in
Baffle Hole Diameter	:	151 mm / 6 in
Depth	:	96 mm / 4 in